



**RIKO's SENSORS for
DETECTING the
LEVELS of WATER/OIL**



**RIKO's SENSORS for
DETECTING the
LEVELS of WATER/OIL**

Exclusively Assembled Sensors by RIKO's Float
Technology for Automotives, Ships, Construction,
Agriculature, Trucks and Generators.



**High Quality Level from the Individual Parts to the whole Assembled Sensors.
Superb Preciseness can be found in the diversified applications, from the sensors to be assembled with machines to the ones for large tanks.**

Riko has started supplying to the market of "Assembled Sensors for detecting the levels of Water / Oil." Float is our originality and we have developed it into the sensors' market, satisfying our customers' needs.



WATER DETECTION SENSOR



It is inevitable for diesel engines to detect water and to drain them. Riko's Water Detection Sensors work perfectly well within the fuel filters of not only diesel engines of various type of Transportation vehicles, Industrial machines, but also gasoline engines of large vessels and motor boats which are always exposed to water.

< Applications >

Engines

- Water detection sensors for Fuel Filters
- Water level sensors for Radiators

Home Appliances

- Water level sensors
- Over flow detection sensors

Automatic Bending Machines

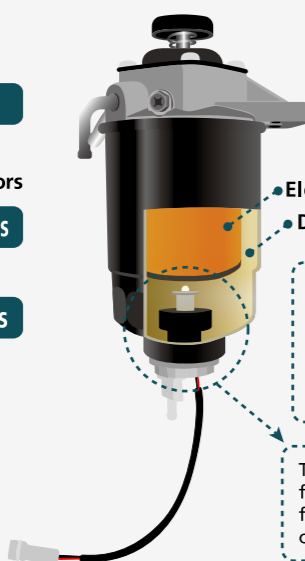
- Water level sensors

Air Conditioning Machines

- Water level sensors for draining

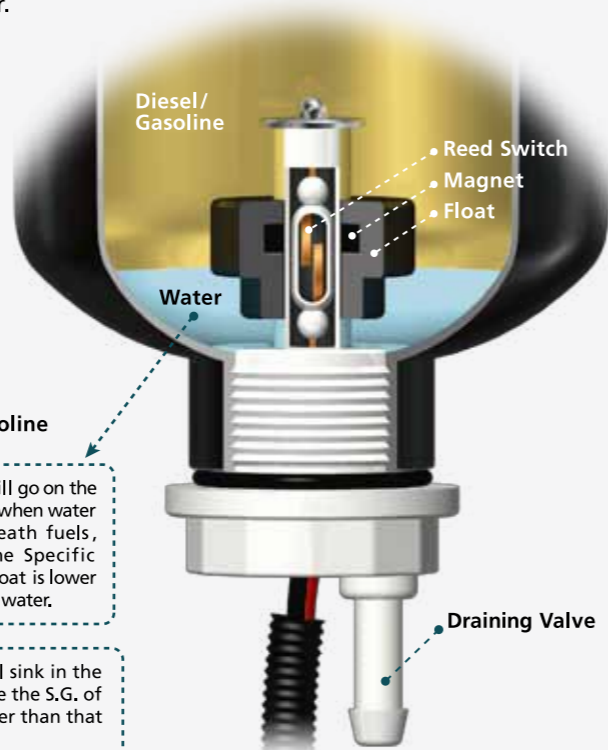
■ Fuel Filters

The picture shows that a Water Detection Sensor is set under the fuel filter. The float will float on the water level and switch on the light, when the water comes beneath the fuel.



The float will go on the water level, when water comes beneath fuels, because the Specific Gravity of float is lower than that of water.

The float will sink in the fuels, because the S.G. of float is heavier than that of fuels.



OIL DETECTION SENSOR



Burnout is one of the major problems of small engines. Riko's Oil Sensors have a flexibility be to applied to various types of engines with excellent high temperature resistance and easy workability. Line up of oil sensors for motorcycles and four-wheelers, from general purpose types to high efficiency types.

< Applications >

For Engines

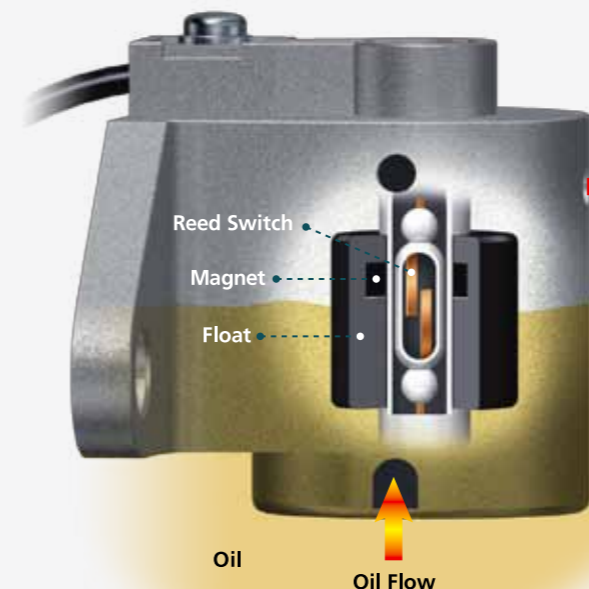
- Detection of Oil Level
- Detection of Break Oil Level
- Detection of Transmission Oil Level

For Construction and Agriculture Machines

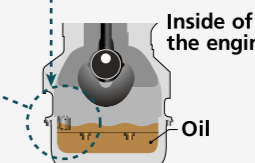
- Detection of various oil levels
- Alarm for over flow

For Home Appliances

- Sensor for Kerosene Level
- Detection of different kinds of liquids



■ Small Engine



Oil sensor detects the level of oil, when engine gets started, Oil sensor will switch on the alarm light or stop the engine, when it detects the oil level too low.

< Product Samples >

Water detection sensors for large engines



- Diesel Trucks
- Buses
- Shovels
- Trains
- etc.

Water detection sensors for ships



- Cruisers
- Marine Jets
- Outboard Motors
- etc.

Oil sensors for Agricultural machines



- Farm Tractors
- Rice Planting Machines
- etc.

Oil Sensors for Small Engines



- Small Engines
- Water Pumps
- Generators

Motorcycles



- Four-cycle engines
- Two-cycle engines
- Motor Bikes

Four-Wheelers



- Four-Wheelers